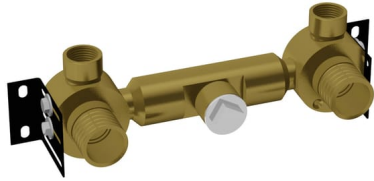


SAMUEL HEATH

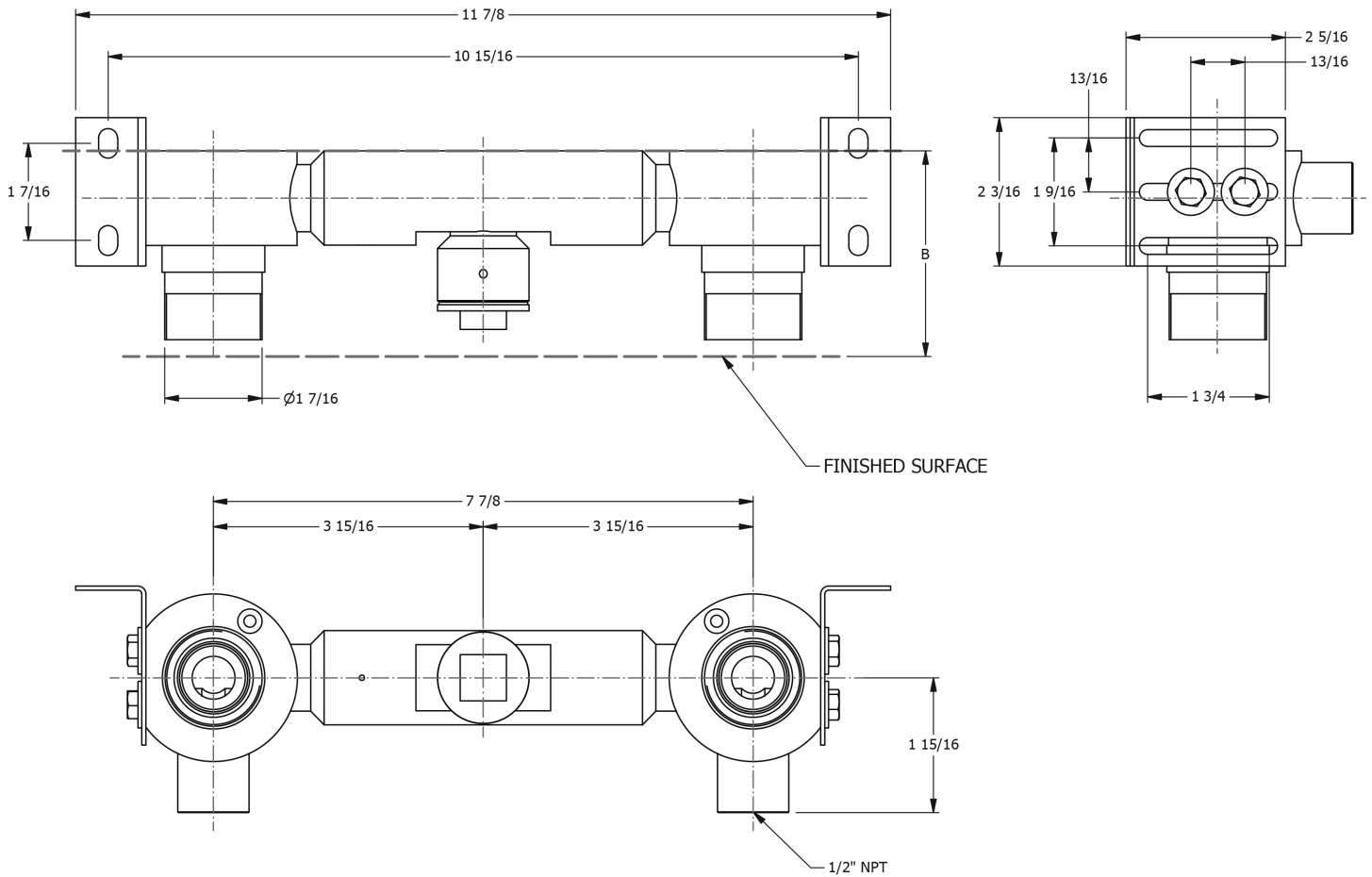
Product Number: V718-AIS

Description: 3 Hole wall mounted filler - rough

Standards



Specification Drawing



TRIM	DIMENSION 'B' RANGE
V717-ALL & V747-ALL	2 15/16" TO 3 3/8"

UK Customer Service
 Leopold Street
 Birmingham
 B12 0UJ
 Tel: +44 121 766 4200
 Email: info@samuel-heath.com

US Customer Service
 Federal I.D. No. 58-1504682
 Email: usa@samuel-heath.com

Specification Enquiries
 Design Centre Chelsea Harbour
 1st Floor, North Dome, London
 SW10 0XE
 Tel: 020 7352 0249
 Email: showroom@samuel-heath.com

1-30/04/2024