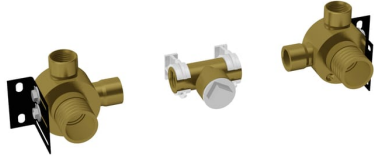


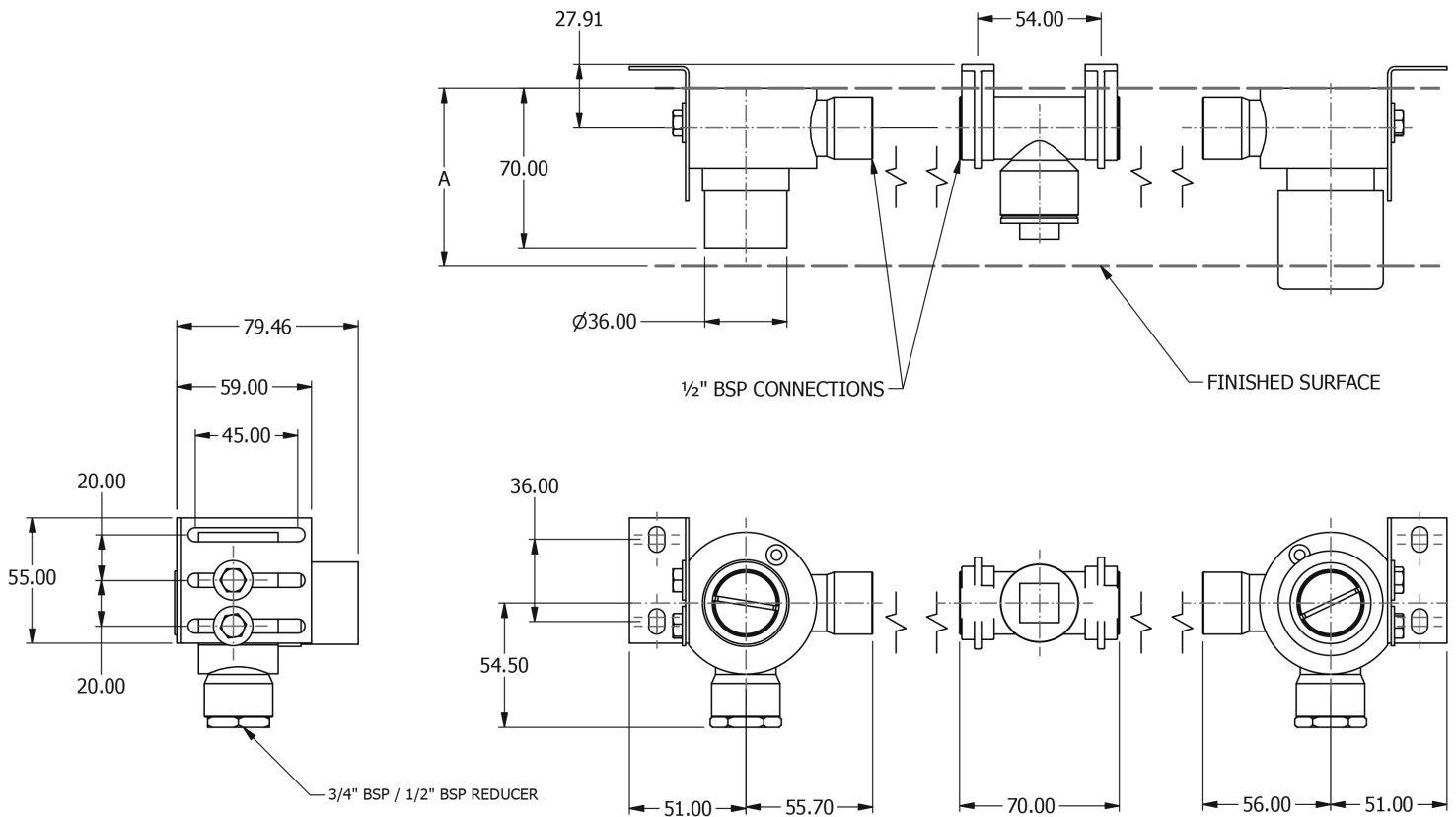
SAMUEL HEATH

Product Number: V818-IS

Description: 3 Hole wall mounted filler - rough



Specification Drawing



TRIM FOR V717 & V747
DIMENSION 'A' RANGE 75.00 TO 86.00

UK Customer Service
 Leopold Street
 Birmingham
 B12 0UJ
 Tel: +44 121 766 4200
 Email: info@samuel-heath.com

US Customer Service
 Federal I.D. No. 58-1504682
 Email: usa@samuel-heath.com

Specification Enquiries
 Design Centre Chelsea Harbour
 1st Floor, North Dome, London
 SW10 0XE
 Tel: 020 7352 0249
 Email: showroom@samuel-heath.com

1-30/04/2024