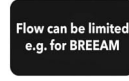


SAMUEL HEATH

Product Number: V7K17S-2LL

Description: 3 Hole wall mounted basin filler, slim spout. 180mm spout length

Standards



Flow rates

Litres/Min	0.1 Bar	0.5 Bar	1.0 Bar	2.0 Bar	3.0 Bar	4.0 Bar	5.0 Bar
		1.7	2.5	3.8	4.0	4.0	4.0

Flow rate data provided is indicative of each product and is given in open outlet conditions. Installation design, external connections and fittings not supplied may affect the data provided.

Finishes Available



Control Options Available



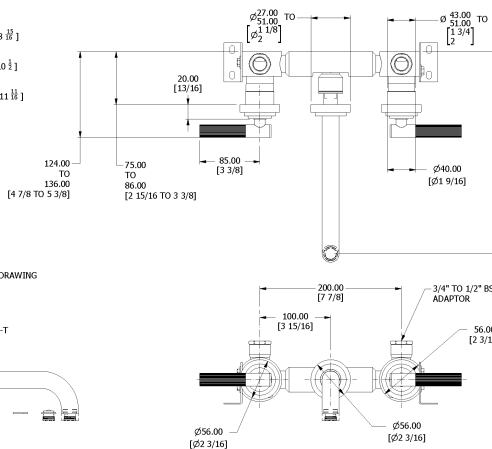
Specification Drawing

SPOUT LENGTHS:

V7K17-1 : A = 215mm to 227mm [8 5/8 to 8 13/16]
B = 140mm [5 1/2]

V7K17-2 : A = 255mm to 267mm [8 7/8 to 10 1/2]
B = 180mm [7 1/8]

V7K17-3 : A = 285mm to 297mm [11 1/4 to 11 13/16]
B = 210mm [8 1/4]



UK Customer Service
Leopold Street
Birmingham
B12 0UJ
Tel: +44 121 766 4200
Email: info@samuel-heath.com

US Customer Service
Federal I.D. No. 58-1504682
Email: usa@samuel-heath.com

Specification Enquiries
Design Centre Chelsea Harbour
1st Floor, North Dome, London
SW10 0XE
Tel: 020 7352 0249
Email: showroom@samuel-heath.com