

# SAMUEL HEATH

**Product Number:** V766

**Description:** Wall outlet & bracket

## Standards



## Finishes Available



Chrome Plate



Polished Nickel



Non Lacquered  
Brass



Stainless Steel  
Finish



Stainless Steel  
with Matt Black



Urban Brass



City Bronze



Matt Black Chrome



Country Bronze

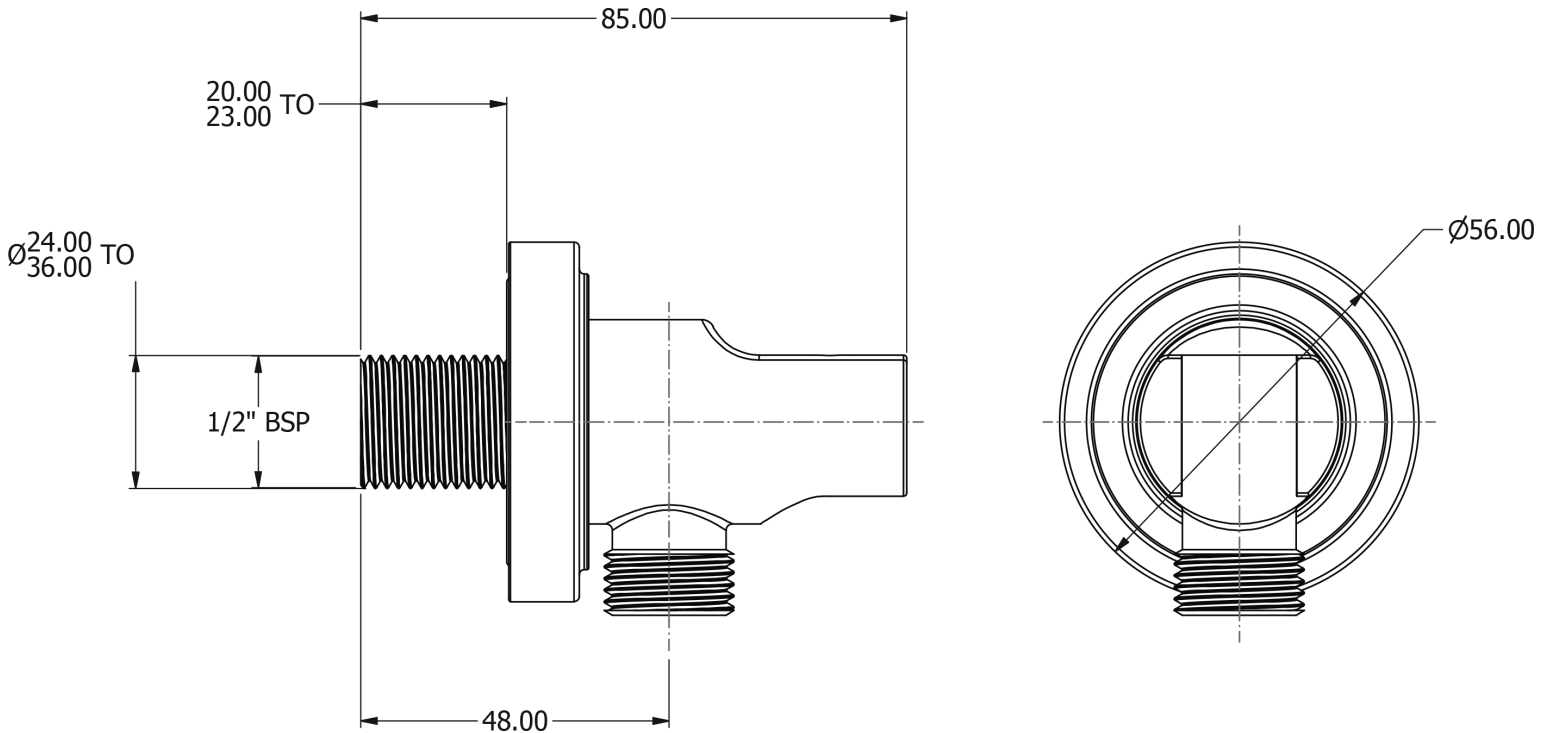


Urban Brass Matt  
Lacquered



Antique Brass Matt  
Lacquered

## Specification Drawing



### UK Customer Service

Leopold Street  
Birmingham  
B12 0UJ  
Tel: +44 121 766 4200  
Email: info@samuel-heath.com

### US Customer Service

Federal I.D. No. 58-1504682  
Email: usa@samuel-heath.com

### Specification Enquiries

Design Centre Chelsea Harbour  
1st Floor, North Dome, London  
SW10 0XE  
Tel: 020 7352 0249  
Email: showroom@samuel-heath.com

1-16/11/2023