

SAMUEL HEATH

Product Number: V6K6XXB9

Description: Exposed 1/2" thermostatic shower set - 2 flow controls



Finishes Available



Chrome Plate



Polished Nickel



Non Lacquered Brass



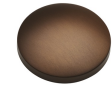
Antique Gold



Stainless Steel Finish



City Bronze



Country Bronze



Brushed Gold Gloss



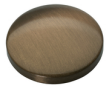
Brushed Gold Matt



Brushed Gold Unlacquered

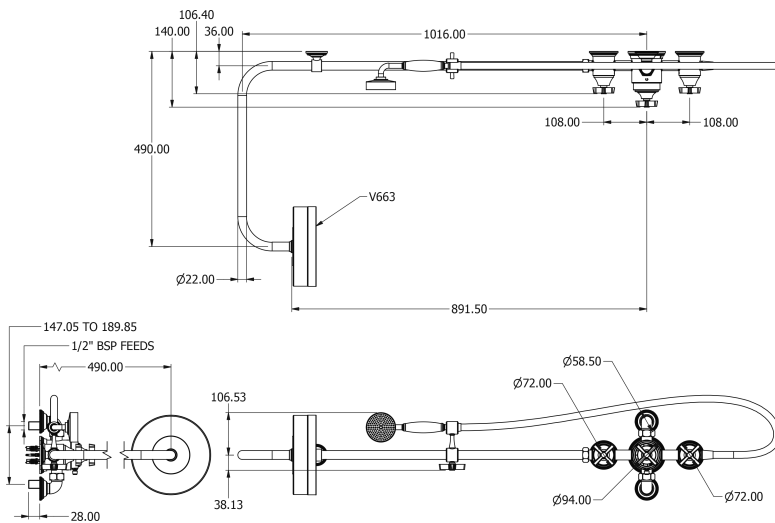


Antique Brass Matt



Antique Brass Gloss

Specification Drawing



Kit Components

Amber Brass



V640



V654B



V663



V621-TXB



V941



V298



V623

UK Customer Service
 Leopold Street
 Birmingham
 B12 0UJ
 Tel: +44 121 766 4200
 Email: info@samuel-heath.com

US Customer Service
 Federal I.D. No. 58-1504682
 Email: usa@samuel-heath.com

Specification Enquiries
 Design Centre Chelsea Harbour
 1st Floor, North Dome, London
 SW10 0XE
 Tel: 020 7352 0249
 Email: showroom@samuel-heath.com

1-30/04/2024