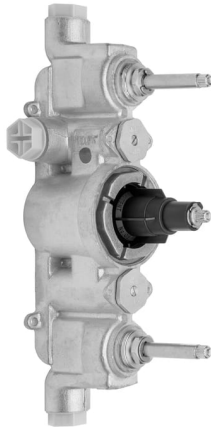


SAMUEL HEATH

Product Number: V135-IS

Description: 1/2" Concealed thermostatic valve - rough



Standards



Flow can be limited
e.g. for BREEAM

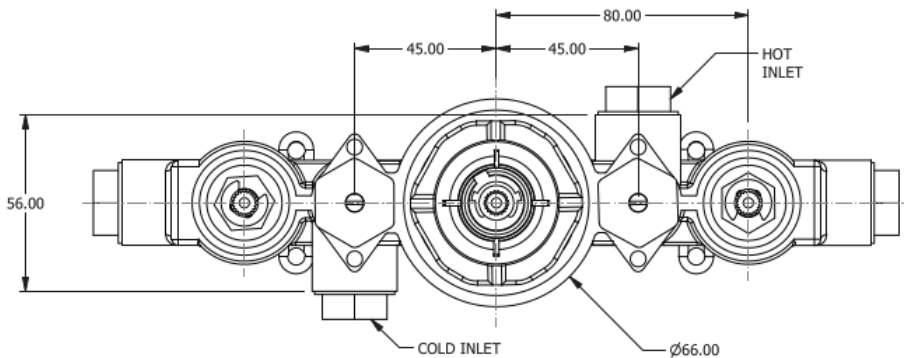


Flow rates

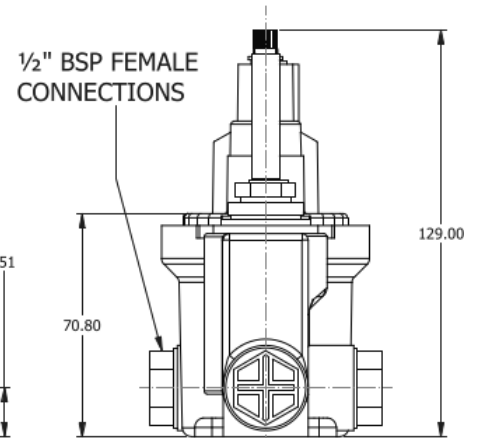
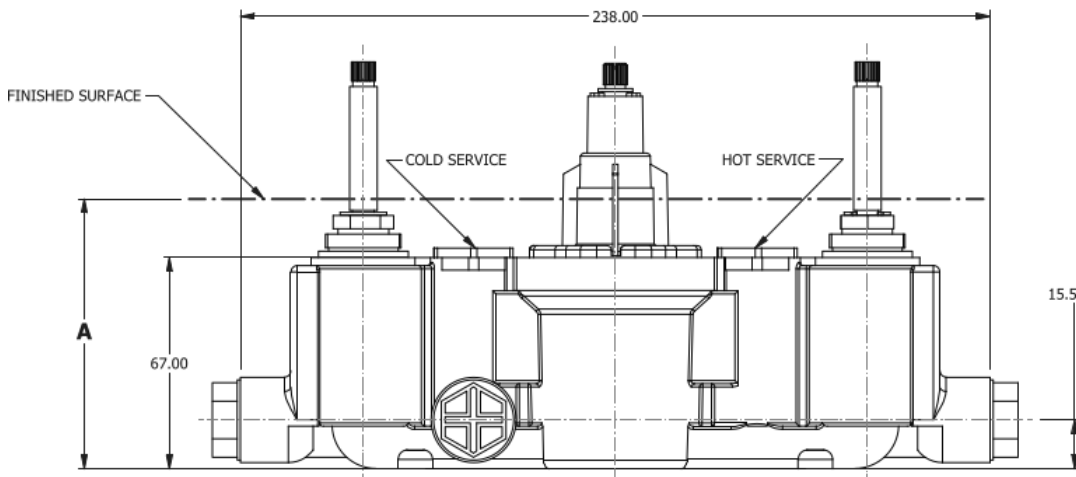
Litres/Min	0.1 Bar	0.5 Bar	1.0 Bar	2.0 Bar	3.0 Bar	4.0 Bar	5.0 Bar
1/2" Feed		11.8	17.2	26.6	32.0	36.0	40.5
3/4" Feed		11.8	17.2	26.6	32.0	36.0	40.5

Flow rate data provided is indicative of each product and is given in open outlet conditions. Installation design, external connections and fittings not supplied may affect the data provided.

Specification Drawing



TRIM	DIMENSION A RANGE
V102-T	71.80 TO 106.70
V202-T	73.00 TO 84.30
V602-T	71.80 TO 82.80
V702-T	110.00 TO 119.00
V802-T	87.00 TO 98.00
T1002-T	109.00 TO 120.00
T2002-T	120.00 TO 131.00



UK Customer Service
Leopold Street
Birmingham
B12 0UJ
Tel: +44 121 766 4200
Email: info@samuel-heath.com

US Customer Service
Federal I.D. No. 58-1504682
Email: usa@samuel-heath.com

Specification Enquiries
Design Centre Chelsea Harbour
1st Floor, North Dome, London
SW10 0XE
Tel: 020 7352 0249
Email: showroom@samuel-heath.com

1-19/09/2023