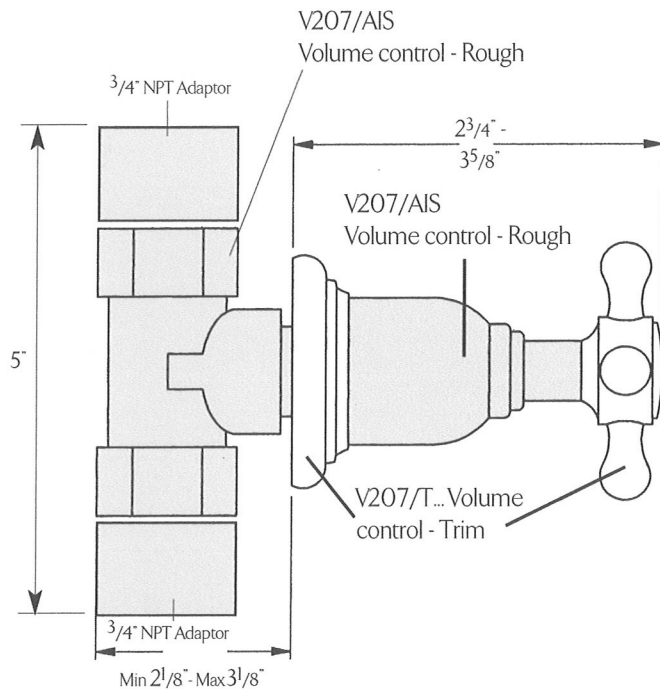
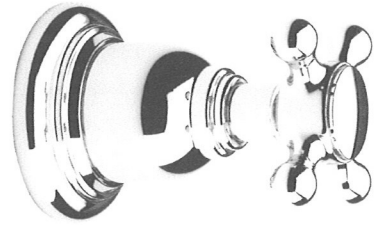


# Fairfield Volume control

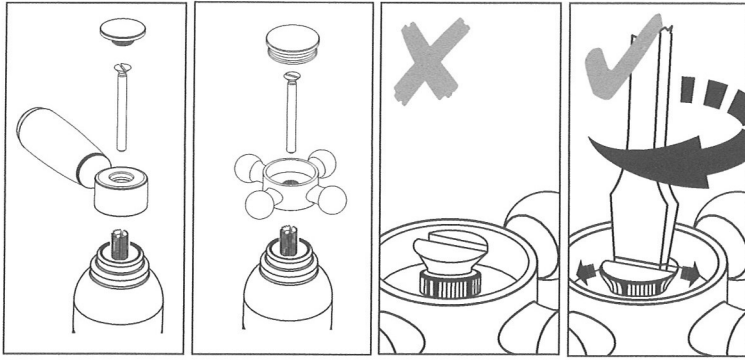


Order in 2 parts. Drawing is shown with crosstop option  
V207/AIS + V207/TX

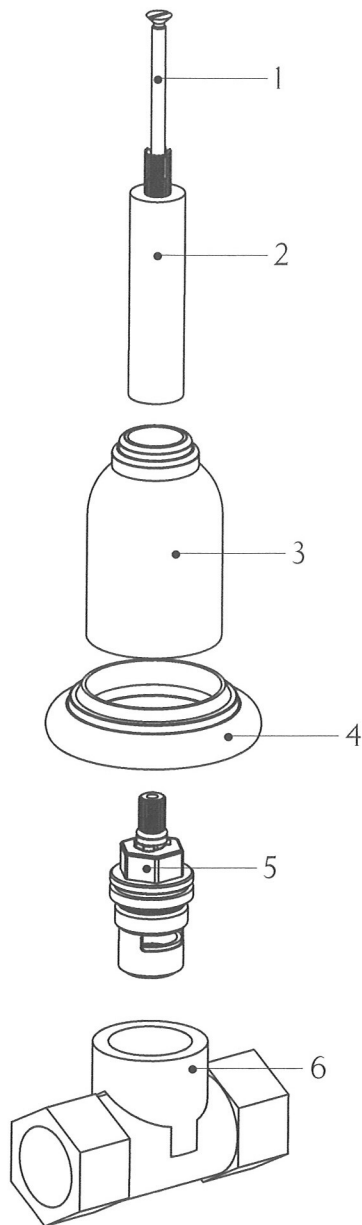
## IMPORTANT NOTES

- 1, Installation should be carried out by a competent engineer, in accordance with water regulations.
- 2, Before installation, ensure supply pipes are flushed clean. Debris or loose particles will affect the efficiency of the ceramic disc cartridge.
- 3, For mixer faucets, it is recommended that hot & cold pressures are equally balanced.
- 4, To help maintain the high quality finish, please clean with a soft damp cloth. Do not use abrasive polish or cleaners. Stains may be removed using undiluted washing up liquid.
- 5, Ceramic cartridges in hard water areas. To prolong the lifespan and reduce servicing periods of your Samuel Heath faucet we recommend that a suitable water softener be fitted. Consult your installer/designer for details.

PRODUCT DATA SHEET  
V207 (USA)



V207/TC, TM, TW    V207/TX



ITEM	DESCRIPTION
1	Fixing screw (V207 Trim)
2	Splined spindle (V207 Trim)
3	Valve shield (V207 Rough)
4	Escutcheon (V207 Trim)
5	Ceramic cartridge (V207 Trim)
6	Volume control - (V207 Rough)

Sales Office Direct Line: +44 (0)121 766 4200  
Email: [info@samuel-heath.com](mailto:info@samuel-heath.com)  
[www.samuel-heath.com](http://www.samuel-heath.com)